

1 Enclosures, terminal boxes, construction site boxes

1 Enclosures Exd IIB+H2

1 EJB series - aluminium

The EJB series flameproof enclosures are available in 12 different sizes, allowing a suitable housing to be found for every application.

Depending on the customer's specifications, the boxes can be fitted with terminals, magnetic switches, circuit breakers, electronic components, etc.

Specifications

Material	corrosion- and saltwaterresistant aluminium with polyurethane paint, RAL9002
Protection	IP65
Seal	special grease on the flanges to guarantee the IP-degree
Mounting plate	galvanised, 3mm thick
Cover bolts	stainless steel
Earthing	internal and external stainless steel M6 bolt
Ambiant temperature	-20°C - +40°C
Mounting	the rear is fitted with 4 threaded holes

- II 2 G Ex db IIB+H2 T6/T5/T4 Gb
- II 2(1) G Ex db [ia Ga] IIB+H2 T6 Gb
- II 2(2) G Ex db [ib] IIB+H2 T6 Gb
- II 2 D Ex tb IIIC T85°C/T100°C/T135°C Db IP65

Zone 0	✗	Zone 20	✗
Zone 1	✓	Zone 21	✓
Zone 2	✓	Zone 22	✓

INERIS22ATEX0032X



On request

- control units in cover
- hinges (stainless steel)
- galvanised mounting brackets for wall mounting
- entries with or without glands
- window in cover
- installation of electric/electronic components
- ambient temperature -50°C - +55°C
- IP66 / IP67

Ordering data

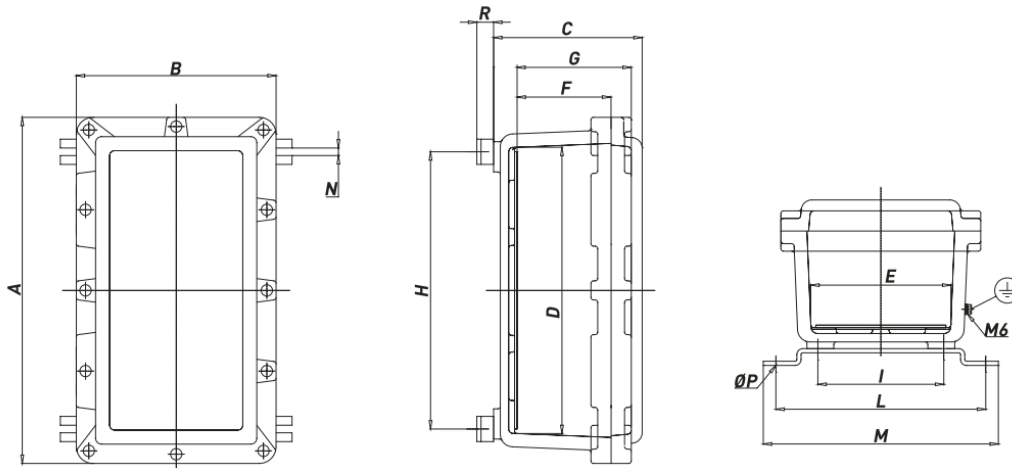
Code	Dimensions (h x w x d) (mm)	Mounting plate (mm)	Useable depth (mm)	Weight
EJB-Y-02	298 x 238 x 163	220 x 160	135	10,7 kg
EJB-Y-03	410 x 236 x 167	330 x 155	136	13,4 kg
EJB-Y-04	415 x 300 x 165	325 x 210	132	17,5 kg
EJB-Y-05	477 x 297 x 221	385 x 200	182	20,5 kg
EJB-Y-06	478 x 404 x 226	380 x 300	186	33,0 kg
EJB-Y-08	630 x 361 x 246	520 x 250	204	36,5 kg
EJB-Y-09	532 x 465 x 252	420 x 350	204	40,0 kg
EJB-Y-10	754 x 366 x 294	620 x 240	234	48,5 kg
EJB-Y-11	592 x 501 x 257	470 x 380	204	53,3 kg
EJB-Y-12	801 x 450 x 300	625 x 325	243	73,0 kg
EJB-Y-13	830 x 604 x 298	683 x 463	236	106,0 kg
EJB-Y-13A	830 x 604 x 404	683 x 463	322	124,0 kg
EJB-Y-14	970 x 770 x 478	745 x 545	405	245,0 kg

1 Enclosures, terminal boxes, construction site boxes

1 Enclosures Exd IIB+H2

1 EJB series - aluminium

Dimensional sketches



Product code	Dimensions												
	A	B	C	D	E	F	G	H	I	L	N	P	R
EJB-Y-02	298	238	163	230	168	95	135	205	140	250	9	M6	20
EJB-Y-03	410	236	167	340	167	85	136	330	150	250	9	M8	20
EJB-Y-04	415	300	165	335	220	90	132	300	190	300	9	M8	20
EJB-Y-05	477	297	221	392	209	125	182	350	185	300	9	M8	20
EJB-Y-06	478	404	226	387	310	130	186	355	280	390	9	M8	20
EJB-Y-08	630	361	246	530	262	140	204	495	225	340	9	M8	20
EJB-Y-09	532	465	252	426	363	140	204	410	340	440	12	M10	20
EJB-Y-10	754	366	294	630	250	185	234	580	205	330	12	M10	20
EJB-Y-11	592	501	257	483	394	130	204	445	360	480	12	M10	20
EJB-Y-12	801	450	300	690	335	170	243	640	285	425	14	M12	20
EJB-Y-13	830	604	298	723	500	115	236	630	405	580	14	M12	20
EJB-Y-13A	830	604	404	723	500	205	322	630	405	580	14	M12	20
EJB-Y-14	970	770	478	745	545	374	405	765	565	710	16	M14	25

Accessories

Switches

AC1 660V : 20A
AC23 500V : 16A



Code	Schema
PSRC220	
PSRC420	
PSRC-D220	
PSRC-C220	

Key switches

AC11 220V : 4,5A / 380V : 2,6A /
500V : 2,1A
In = 10A
Contactblocks to be ordered
separately.



Code	Contact block
PLF10	
020E10	1NO
020E01	1NC

1 Enclosures, terminal boxes, construction site boxes

1 Enclosures Exd IIB+H2

1 EJB series - aluminium

Push buttons

AC11 220V : 4,5A / 380V : 2,6A /
500V : 2,1A
In = 10A
Contactblocks to be ordered
separately.



Code	Colour	Contact block
PLA10	black	
PLA20	red	
PLA30	green	
PLC-S	red	
PLC-S-F	red	
020E10		1NO
020E01		1NC

Signalling lamps

Lamp fitting Ba9s
max.230V - max.5W
Light bulb to be ordered
separately.



Code	Colour	Voltage
PLD20	red	
PLD10	white	
PLD30	green	
PLD40	yellow	
PLD50	blue	
PLD-LED28VAC/DC		24VAC/DC
PLD-LED130VAC		130VAC
PLD-LED230AC		230VAC