



1 Enclosures, terminal boxes, construction site boxes



3 Enclosures Exde IIC

1 DE8-WH series - Exd box

The flameproof enclosures of the DE8-WH (Exd) series are particularly suited for the installation of controls and distributions.

With the addition of an Exe box, controls (push buttons, lamps, etc) and terminals can be added, guaranteeing a user-friendliness.

The Exd and Exe boxes are connected by means of flameproof bushings (number of conductors and section need to be specified).

Specifications

Material	steel with aluminium cover and finish
Protection	IP65
Mounting plate	twofold, galvanised steel
Earthing	with M10 threaded rod
Ambiant temperature	-20°C - +40°C
Mounting	with 4 mounting feet

- II 2 G Ex d IIC T6/T4 Gb
- II 2(1) G Ex d [ia Ga] IIC T6 Gb
- II 2 D Ex tb IIIC T85°C - T135°C Db
- II 2 (1) D Ex tb [ia Da] IIIC T85°C Db

Zone 0	✗	Zone 20	✗
Zone 1	✓	Zone 21	✓
Zone 2	✓	Zone 22	✓

INERIS03ATEX0121X



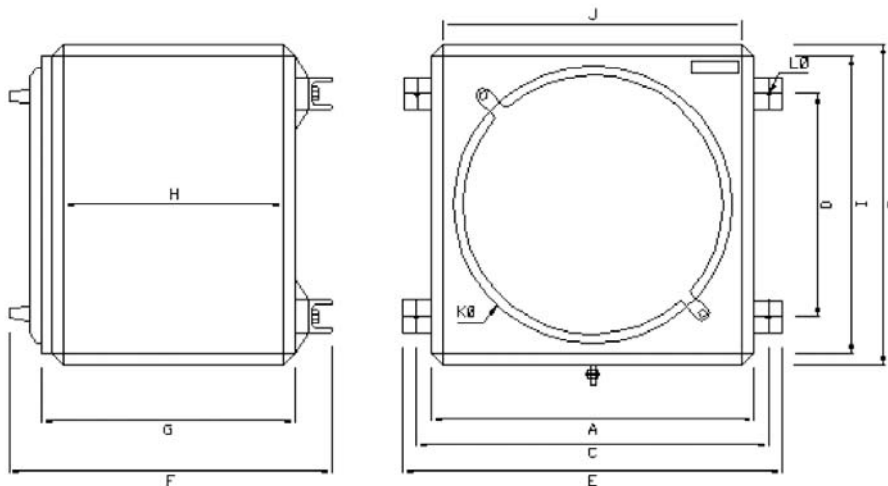
On request

- entries with or without glands
- Ø 60 window, centred on cover
- installation of electric/electronic components
- built-on Exe box
- ambient temperature -20°C - +60°C

Ordering data

Code	Dimensions (hxxxd) (mm)	Weight
DE8-WH32	330 x 330 x 300	65 kg
DE8-WH43	520 x 520 x 300	125 kg
DE8-WH64	670 x 670 x 300	200 kg
DE8-WH107	1040 x 670 x 360	200 kg

Dimensional sketches



Product code	Dimensions											
	A	B	C	D	E	F	G	H	I	J	K	L
DE8-WH32	330	330	380	210	420	425	300	264	306	306	250	14
DE8-WH43	520	520	570	400	610	425	300	264	496	496	400	14
DE8-WH64	670	670	720	552	760	425	300	264	646	646	550	14
DE8-WH107	670	1040	720	800			360	317	1016	646	550	14

