



# 1 Enclosures, terminal boxes, construction site boxes



## 4 Terminal boxes polyester

### 1 CONNECTA-P series

The polyester terminal boxes of the CONNECTA-P series are available in 23 different sizes. They are very robust and particularly suited for use in aggressive and heavy-duty conditions. With their practical sizes and their flexible certification they can be fitted with terminals and glands of various manufacturers.

These terminal boxes are readily available according to your specifications. The boxes are available as assembled terminal boxes or in an empty version, with component certificate.

#### Specifications

Protection	IP66, EN 60529
Cover bolts	stainless steel - loss-free
Seal	silicone
Color	RAL 9011 black
Material	glass-fibre reinforced polyester, graphitised
Surfaceresistance	< 10 GΩ, IEC 60079-0
Impact	7Nm (J), IEC 60079-0
Ambiant temperature (for the empty enclosure)	-40°C - +100°C
Toxic behaviour	halogen-free
Waterabsorption	max.0,7%, ASTM D570
Weatherresistance	UV-resistant

- II 2 G Ex e IIC T6 Gb
- II 1 G Ex ia IIC T6 Ga
- II 2(1) G Ex e [ja Ga] IIC T6 Gb
- II 2 D Ex tb IIIC T85°C Db IP66
- II 1 D Ex ta IIIC T85°C Da IP66

Zone 0	✓	Zone 20	✓
Zone 1	✓	Zone 21	✓
Zone 2	✓	Zone 22	✓



#### On request

- terminals
- earthing strip
- entries (metric)
- mounting plate in galvanised steel
- mounting feet
- hinges

#### Ordering data

Code	Dimensions (hwxwd) (mm)	Weight	Mounting dimensions (mm)	Mounting
CP0808-U	75 x 80 x 55	0,23 kg	45 x 68	4 x M4
CP0808D-U	75 x 80 x 75	0,3 kg	45 x 68	4 x M4
CP0811-U	75 x 110 x 55	0,295 kg	45 x 98	4 x M4
CP0811D-U	75 x 110 x 75	0,36 kg	45 x 98	4 x M4
CP0816-U	75 x 160 x 55	0,405 kg	45 x 148	4 x M4
CP0816D-U	75 x 160 x 75	0,46 kg	45 x 148	4 x M4
CP0819-U	75 x 190 x 55	0,45 kg	45 x 178	4 x M4
CP0819D-U	75 x 190 x 75	0,53 kg	45 x 178	4 x M4
CP0823-U	75 x 230 x 55	0,575 kg	45 x 218	4 x M4
CP0823D-U	75 x 230 x 75	0,67 kg	45 x 218	4 x M4
CP1032-U	100 x 320 x 80	1,3 kg	45 x 304	4 x M6
CP1212-U	120 x 120 x 90	0,75 kg	82 x 106	4 x M6
CP1222-U	120 x 220 x 90	1,06 kg	82 x 204	4 x M6
CP1616-U	160 x 160 x 90	1,29 kg	110 x 140	4 x M6
CP1626-U	160 x 260 x 90	1,71 kg	110 x 240	4 x M6
CP1636-U	160 x 360 x 90	2,15 kg	110 x 340	4 x M6
CP1656-U	160 x 560 x 90	3,18 kg	110 x 540	4 x M6
CP2526-U	250 x 255 x 120	2,65 kg	200 x 235	4 x M6
CP2526D-U	250 x 255 x 160	3,275 kg	200 x 235	4 x M6
CP2540-U	250 x 400 x 120	3,650 kg	200 x 380	4 x M6
CP2540D-U	250 x 400 x 160	4,8 kg	200 x 380	4 x M6
CP2560-U	250 x 600 x 120	5,235 kg	200 x 580	4 x M6
CP2560D-U	250 x 600 x 160	5,235 kg	200 x 580	4 x M6
CP3636-U	360 x 360 x 90	3,67 kg	310 x 340	4 x M6
CP4140-U	405 x 400 x 120	5,58 kg	355 x 380	4 x M6
CP4140D-U	405 x 400 x 200	5,58 kg	355 x 380	4 x M6

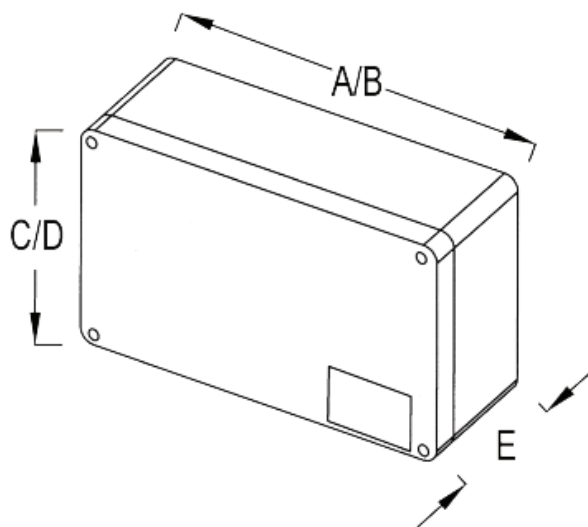


# 1 Enclosures, terminal boxes, construction site boxes

## 4 Terminal boxes polyester

### 1 CONNECTA-P series

#### Dimensional sketches



Product code	Exterior dimensions		
	C/D	A/B	E
CP0808-U	75	80	55
CP0808D-U	75	80	75
CP0811-U	75	110	55
CP0811D-U	75	110	75
CP0816-U	75	160	55
CP0816D-U	75	160	75
CP0819-U	75	190	55
CP0819D-U	75	190	75
CP0823-U	75	230	55
CP0823D-U	75	230	75
CP1032-U	100	320	80
CP1212-U	120	120	90
CP1222-U	120	220	90
CP1616-U	160	160	90
CP1626-U	160	260	90
CP1636-U	160	360	90
CP1656-U	160	560	90
CP2526-U	250	255	120
CP2526D-U	250	255	160
CP2540-U	250	400	120
CP2540D-U	250	400	160
CP2560-U	250	600	120
CP2560D-U	250	600	160
CP3636-U	360	360	90
CP4140-U	405	400	120
CP4140D-U	405	400	200