



# 1 Enclosures, terminal boxes, construction site boxes



## 6 Junction boxes Exe plastic

### 1 Y-CP series

The plastic boxes are made of glass-fibre reinforced polyester with a high shock resistance. The box is supplied complete with terminals and cable glands.

II 2 G Ex eb IIC T6 Gb

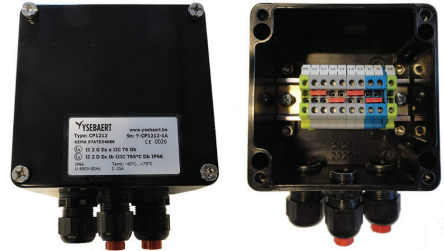
II 2 D Ex tb IIIC T85°C Db IP66

#### Specifications

|            |                                  |
|------------|----------------------------------|
| Protection | IP66                             |
| Material   | glass-fibre reinforced polyester |
| Color      | black                            |

|        |   |         |   |
|--------|---|---------|---|
| Zone 0 | ✗ | Zone 20 | ✗ |
| Zone 1 | ✓ | Zone 21 | ✓ |
| Zone 2 | ✓ | Zone 22 | ✓ |

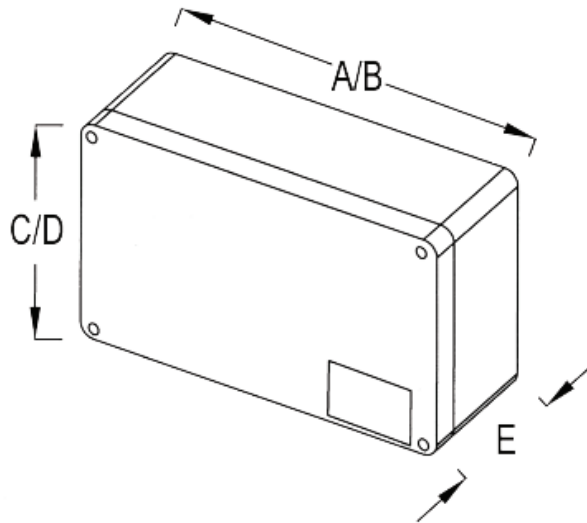
KEMA97ATEX4686



#### Ordering data

| Code        | Terminals   | Earthing   | Voltage   | Cable entry  | Weight  | Ambiant temp. |
|-------------|---|--|-----------|--|---------|---------------|
| Y-CP1212-1C | 8 UT4 terminals (flexible 4mm <sup>2</sup> / rigid 6mm <sup>2</sup> ), bridged per pair | 2 earthing terminals (flexible 4mm <sup>2</sup> / rigid 6mm <sup>2</sup> ) | max. 690V | 1 M20 cable gland with blind plug<br>2 M25 cable glands of which 1 with blind plug | 0,95 kg | -40°C - +40°C |

#### Dimensional sketches



| Product code | Exterior dimensions |     |    |
|--------------|---------------------|-----|----|
|              | C/D                 | A/B | E  |
| Y-CP1212-1B  | 120                 | 120 | 90 |

