



### 3 Lighting



#### 7 Floodlights and high bay fittings for zone 2 and 22

#### 2 ATEX high bay fitting nD83-LED series

As an alternative to the traditional high bay fittings, we can propose this elegant explosionproof LED luminaire.

The series nD8301/nD8302 is suitable for zone 2 and 22 and is equipped with 1 or 2 LED wings.

This series is available in multiple light levels.

In option, this luminaire is also available for ambient temperatures of up to +55°C.

Ex II 3 G Ex nR IIC T4 Gc

Ex II 3 D Ex tc IIIC T100°C Dc

Zone 0	✗	Zone 20	✗
Zone 1	✗	Zone 21	✗
Zone 2	✓	Zone 22	✓

EU-declaration of conformity

#### Specifications

Housing	aluminium
Cover	safety glass
Protection	IP65
Electrical connection	terminals L1+N+PE 2,5 mm <sup>2</sup>
Voltage	220-240VAC - 50/60Hz
Cable entry	1 gland M25
Guideline	ATEX
Manufacturer	Schuch



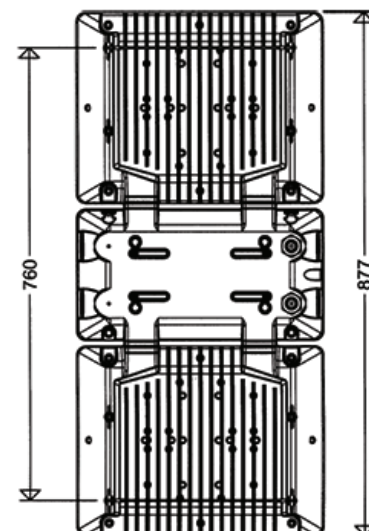
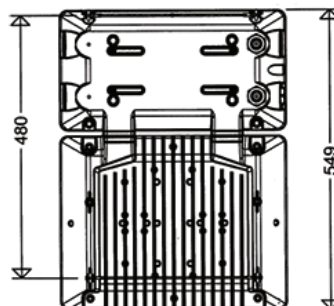
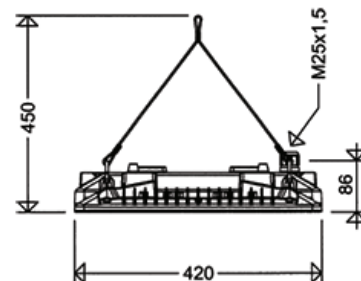
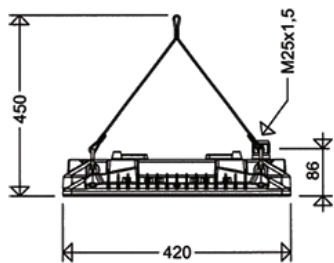
#### On request

- version for ambient temperature up to 50/55°C

#### Ordering data

Code	Power	Lamp	Construction	Luminous flux	Ambiant temperature	Weight
nD8301L110	67W	1 LED wing	wide beam	10800 lumen	-20°C - +40°C	8,9 kg
nD8301L160	96W	1 LED wing	wide beam	15000 lumen	-20°C - +40°C	8,9 kg
nD8301L160TB	96W	1 LED wing	narrow-wide beam	15000 lumen	-20°C - +40°C	9,2 kg
nD8302L320	192W	2 LED wings	wide beam	30000 lumen	-20°C - +40°C	14,5 kg
nD8302L420	270W	2 LED wings	wide beam	40400 lumen	-20°C - +40°C	14,6 kg
nD8302L420TB	270W	2 LED wings	narrow-wide beam	40400 lumen	-20°C - +40°C	14,6 kg

#### Dimensional sketches



nD8301

nD8302

