

5 Switches, control units, sockets and plugs

1 Control units Ex d e m

2 Pendant control stations



Pendant control stations are sometimes used in hazardous zones. The XAW-P series provides an effective solution. You can choose from 8 standard versions or configure your own unit. The control stations come with the necessary instructions, a cable boot and a metal suspension bracket as mechanical pull relief.

II 2 G Ex d e IIC T6 Gb

II 2 D Ex tb IIIC T100°C Db

Zone 0	✗	Zone 20	✗
Zone 1	✓	Zone 21	✓
Zone 2	✓	Zone 22	✓

LOM20ATEX1055X

Specifications

Protection	IP65
Material	glass-fibre reinforced polyester
Nominal current	10A (thermal)
Cable boot	for cable Ø 10 - 20mm
Ambiant temperature	-20°C - +50°C



Ordering data

Code	Number of units	Contact elements	Functions	Weight
XAW-P271	2	1NO	↕	0,94 kg
XAW-P281	2	1NO+1NC	↕	1,00 kg
XAW-P471	4	1NO	↕↕	1,29 kg
XAW-P481	4	1NO+1NC	↕↕	1,40 kg
XAW-P671	6	1NO	↕↕↕	1,65 kg
XAW-P681	6	1NO+1NC	↕↕↕	1,80 kg
XAW-P871	8	1NO	↕↕↕↕	2,00 kg
XAW-P881	8	1NO+1NC	↕↕↕↕	2,25 kg

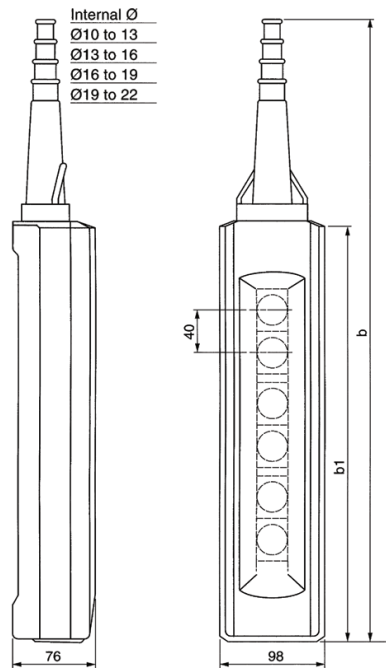


5 Switches, control units, sockets and plugs

1 Control units Ex d e m

2 Pendant control stations

Dimensional sketches



Product code	Dimensions	
	b	b1
XAW-P271	409	220
XAW-P281	409	220
XAW-P471	499	310
XAW-P481	499	310
XAW-P671	589	400
XAW-P681	589	400
XAW-P871	679	490
XAW-P881	679	490

Spare parts

Code	Description
ZBWE101	Normally open contact
ZBWE102	Normally closed contact
XBW5AP11-XAWP	White detachable pushbutton
XBW5AP21-XAWP	Black detachable pushbutton
XBW5AP42-XAWP	Red detachable pushbutton
XAW-P960	Rubber cable boot with metal suspension brace