



## 5 Switches, control units, sockets and plugs



### 6 Installation switches

#### 1 Installation switches 16A - 250VCA

These installation switches meet the current demands regarding ease of use (large control surface) and connection space. A protective flange prevents unwanted operation.

II 2 G Ex d e IIC T6

II 2 D Ex tD A21 IP66 T80°C

#### Specifications

Material	impact-resistant plastic
Protection	IP66
Connection terminals	2 x 2,5 mm <sup>2</sup> (earthing 4 x 2,5 mm <sup>2</sup> )
Rated voltage	250VAC
Nominal current	16A
Cable entry	M25 gland (for cable of Ø 8-17mm)
Ambiant temperature	-55°C - +40°C
Mounting	2 mounting holes

Zone 0	✗	Zone 20	✗
Zone 1	✓	Zone 21	✓
Zone 2	✓	Zone 22	✓

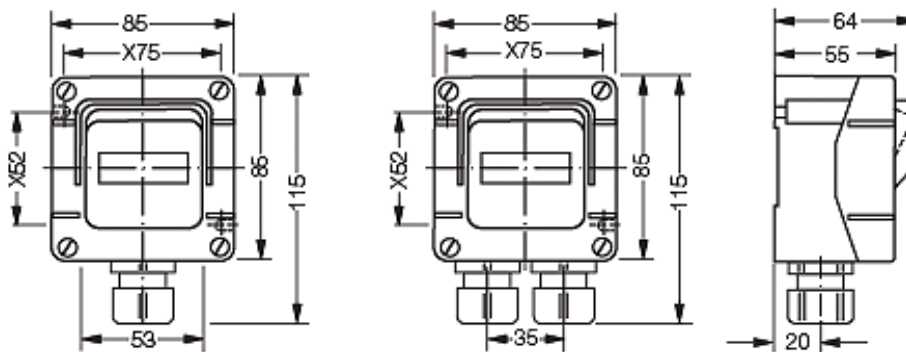
PTB98ATEX3121



#### Ordering data

Code	Diagram	Gland entries
GHG2732000R0017		1 x M25
GHG2732000R0018		2 x M25
GHG2736000R0011		1 x M25

#### Dimensional sketches



X = fixing dimension

