

5 Switches, control units, sockets and plugs




7 Work switches & safety switches

2 10 - 180A safety switches

Safety switches are used to cut power to electrical installations during maintenance or other work. Safety switches (EMERGENCY STOP function) are characterised by their yellow/red padlock bracket and a forced opening of the main contacts (according to EN60024-1); standard safety switches have a black padlock bracket. The switches can be locked with 3 padlocks. The enclosures are made of glass-fibre reinforced polyester and so are suited for applications in aggressive and heavy-duty conditions.

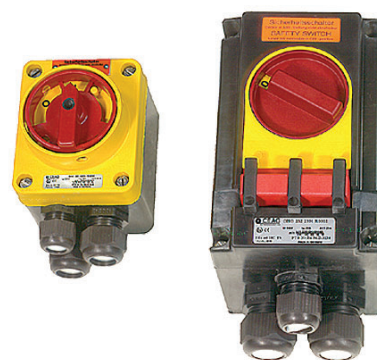
Specifications

Protection IP66

-  II 2 G Ex db eb IIC T6 Gb
-  II 2 G Ex db eb ia II C T6 Gb
-  II 2 D Ex tb IIIC T80°C Db

Zone 0	✗	Zone 20	✗
Zone 1	✓	Zone 21	✓
Zone 2	✓	Zone 22	✓

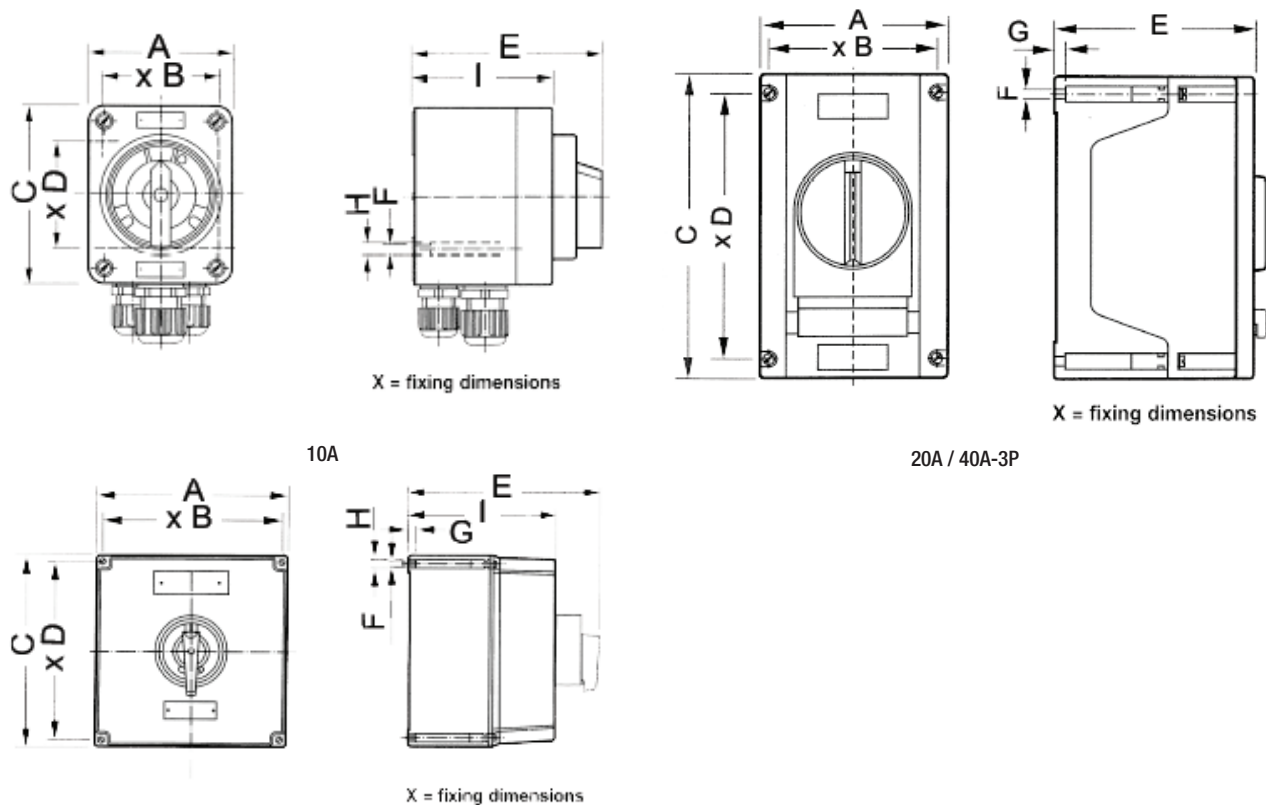
BVS16ATEXE079
 BVS19ATEXE048X
 BVS19ATEXE059X
 BVS15ATEXE125X
 BVS22ATEXE018X



Ordering data

Code	Material	Terminal	No. of poles	Nom. current (A)	Gland entries	Weight	Ambiant temp.
GHG2610005R0010	impact-resistant polyamide	2 x 2,5 mm ²	3+1NO	10	2xM25 + 1xM20	0,55 kg	-55°C - +52°C
GHG2622301R0002	glass-fibre reinforced polyester	2 x 4 mm ²	3+1NO	20	2xM32 + 1xM25	1,50 kg	-55°C - +55°C
GHG2622601R0002	glass-fibre reinforced polyester	2 x 4 mm ²	6+1NO/NC	20	4xM32 + 1xM25	2,30 kg	-55°C - +55°C
GHG2632301R0002	glass-fibre reinforced polyester	2 x 16 mm ²	3+1NO	40	2xM40 + 1xM25	2,30 kg	-55°C - +55°C
GHG2630050R0002	glass-fibre reinforced polyester	2 x 16 mm ²	6+1NO/NC	40	4xM40 + 1xM25	6,50 kg	-55°C - +55°C
GHG2640020R0002	glass-fibre reinforced polyester	2 x 25 mm ²	3+1NO/NC	80	2xM50 + 1xM25	6,50 kg	-36°C - +52°C
GHG2640021R0002	glass-fibre reinforced polyester	2 x 25 mm ²	6+1NO/NC	80	4xM50 + 1xM25	9,00 kg	-36°C - +52°C
GHG2650010R0002	glass-fibre reinforced polyester	1 x 50/70 mm ²	3+1NO/NC	125	2xM63 + 1xM25	16,00 kg	-55°C - +45°C
GHG2660006R0002	glass-fibre reinforced polyester	1 x 120 mm ²	3+1NO/NC	180	2xM63 + 1xM25	16,50 kg	-55°C - +45°C

Dimensional sketches



40A-6P / 80A / 125A / 180A

Product code	Dimensions								
	A	B	C	D	E	F	G	H	I
GHG2610005R0010	84	68,5	102	61,5	112	5,5		8,5	80
GHG2622301R0002	110	96	170	150	129	7	13		
GHG2622601R0002	140	123-126	225	197	156	7	8		
GHG2632301R0002	140	123-126	225	197	156	7	8		
GHG2630050R0002	271	247	271	247	275	7	11	12	211
GHG2640020R0002	271	247	271	247	275	7	11	12	211
GHG2640021R0002	271	247	271	247	295	7	11	12	211
GHG2650010R0002	271	247	544	520	275	7	11	12	211
GHG2660006R0002	271	247	544	520	275	7	11	12	211

Switching capacity at AC3

I _{nom}	230V	400V	500V	690V
10A	10A	10A	10A	-
20A	20A	20A	16A	10A
40A	40A	40A	40A	30A
80A	80A	80A	80A	80A
125A	125A	125A	125A	110A
180A	180A	180A	150A	125A