

Bremen LED

Approved LED searchlight



Application

Bremen is a energy efficient LED searchlight for nearly every kind of search operations. In addition it has morse capability.

Housing

Rubber black, impact and shock resistant, non-corrosive, non-magnetic

Optics

Fresnel lens, clear cover

Protection degree

IP68

Mounting

Hand-held searchlight, two mounting brackets available

Electric

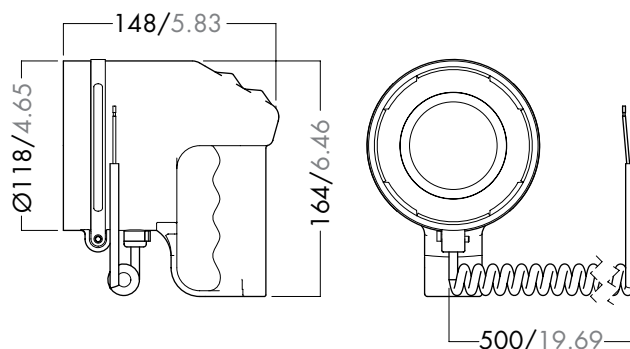
12-24 V, On / off switch, morse, cable 3 m

Light source

12 W LED, included

Remarks

Delivery without brackets. Two mounting brackets and plug-in connections (see page 106) are available.



Dimensions in: mm / inch

Description	Wattage	Voltage	Housing colour	Art. no.
LED Searchlight	12 W	12-24 V	Black	3310001000

Spare Parts

LED insert	12 W	12-24 V		E-8331000100
Clamp bracket				83313007
Slip-on bracket				83313002